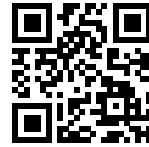


## Sink FM

Tank on the left

Kitchen Sinks

Code: 1973 062



### DETAILS

Edge/Installation Type Standard (8 mm Edge)

---

Finish Foster brushed

---

Material AISI 304 stainless steel

---

Texture Foster brushed

---

Base 60-80 cm

---

Dimensions 970x500 mm

---

Standard fittings Fixing hooks, gasket, drain, overflow and siphon, boxed packing

---

Mixer holes 1 standard hole - 2nd and 3rd on request

---

Built-in hole 950x480 mm

---

Drainer Yes

---

Width 97 cm

---

Bowl dimension 362,5x400 + 150x300mm

---

Number of bowls 2 bowls

---

Waste fitting 3,5" drain

---

## FEATURES

**2nd / 3rd hole available** The sink can be customized with the execution on request of additional holes, usable for double-hole mixers, for remote controlled drains or for the installation of soap dispensers. The positions are marked on the drawings with dotted line holes.

---

**Added value** Foster uses steel thicknesses higher than those used on average by other manufacturers. This is how, thanks to our long experience, we know how to make sinks of superior quality and with a better resistance to aging.

---

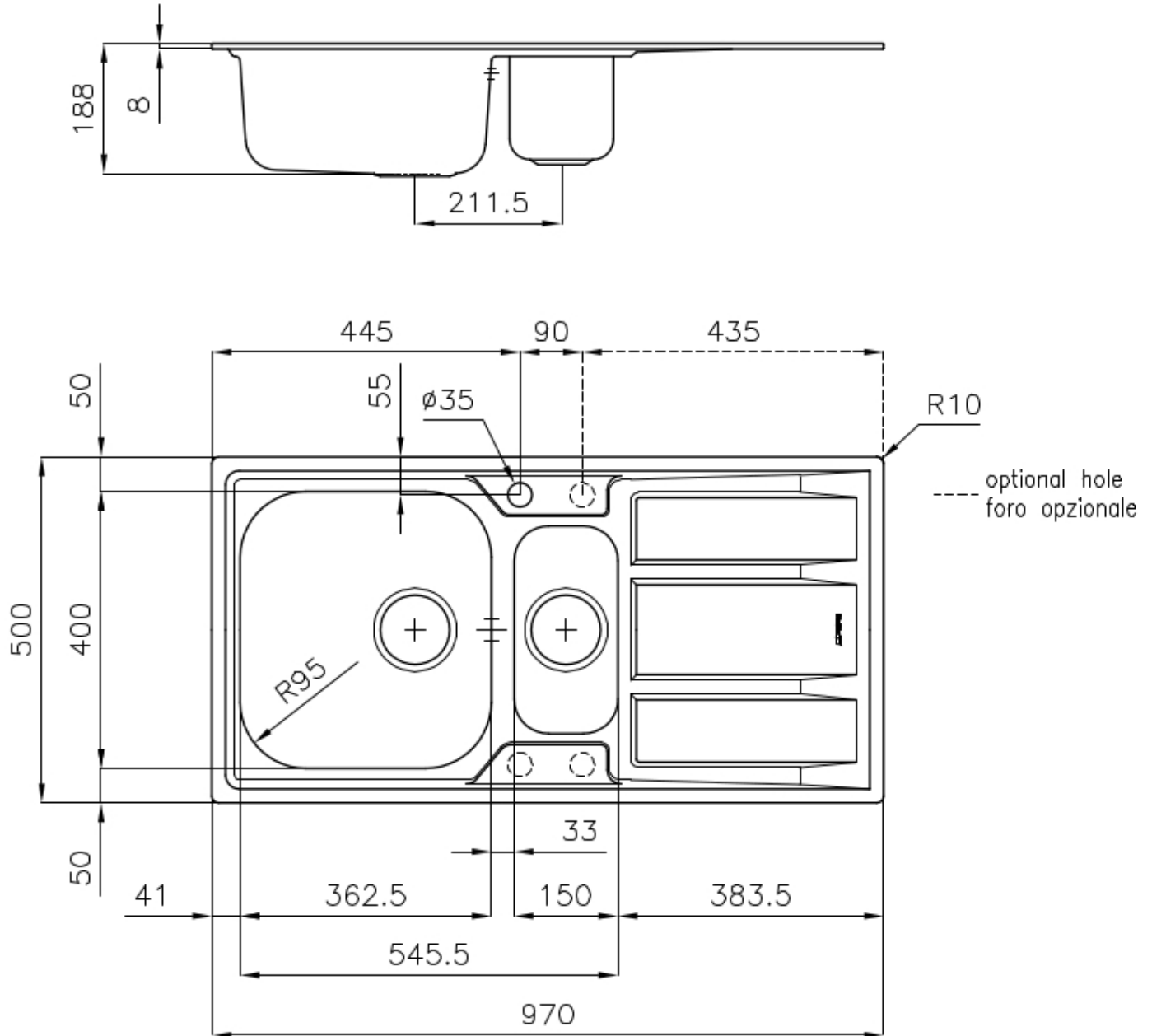
**Basket 3,5" waste fitting** The drain is equipped with a large 3.5" drain, with the practical basket cap that prevents the discharge of solid parts.

---

**Sliding brackets**

---

## TECHNICAL DATA



## OPTIONAL ACCESSORIES



**HPDE Chopping board**  
8657 001



**Stainless steel basket**  
8611 000



**White colander**  
8151 100

## RECOMMENDED PAIRINGS



**Mixer Tap Gamma 3 vie - satin**  
8496 100



**Mixer Tap Lorenzo**  
8466 000



**Mixer Tap NYC**  
8486 000

## OPTIONAL AUTOMATIC WASTE FITTINGS



**Automatic waste fitting**  
8407 100



**Automatic waste fitting**  
8407 000



**LIRA automatic waste fitting**  
8407 103